

ONE - COLUMN - 04C115

**BILL OF MATERIAL**

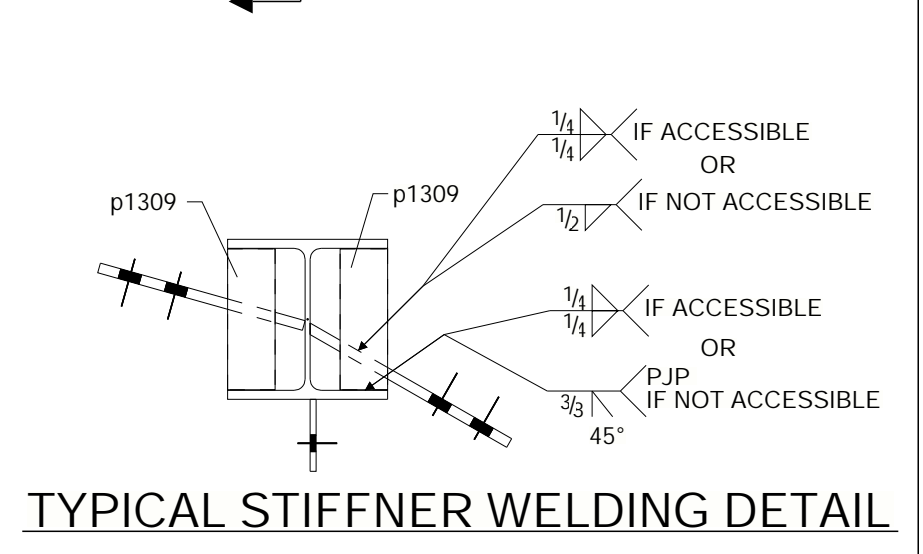
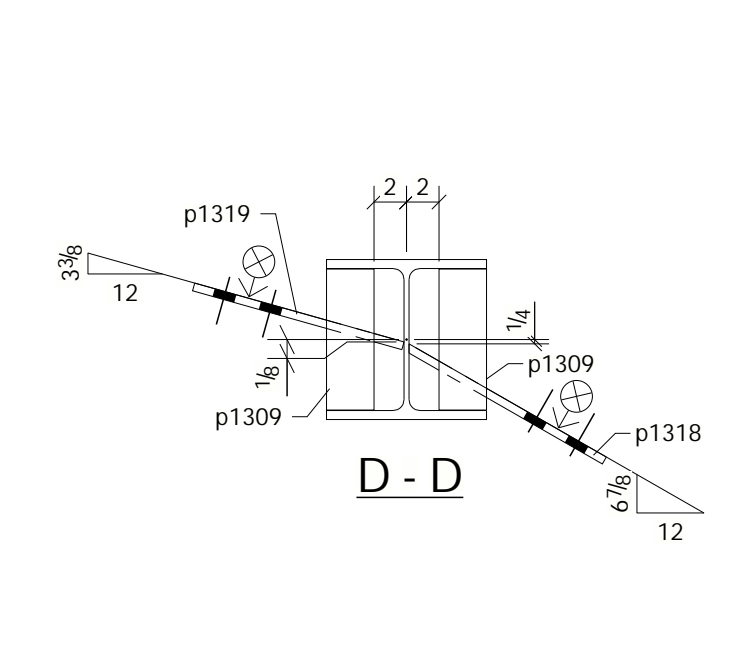
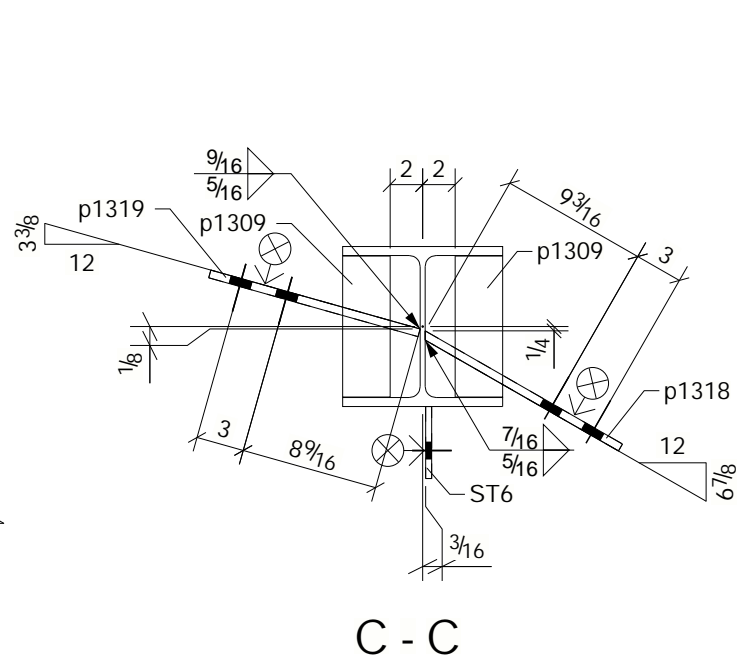
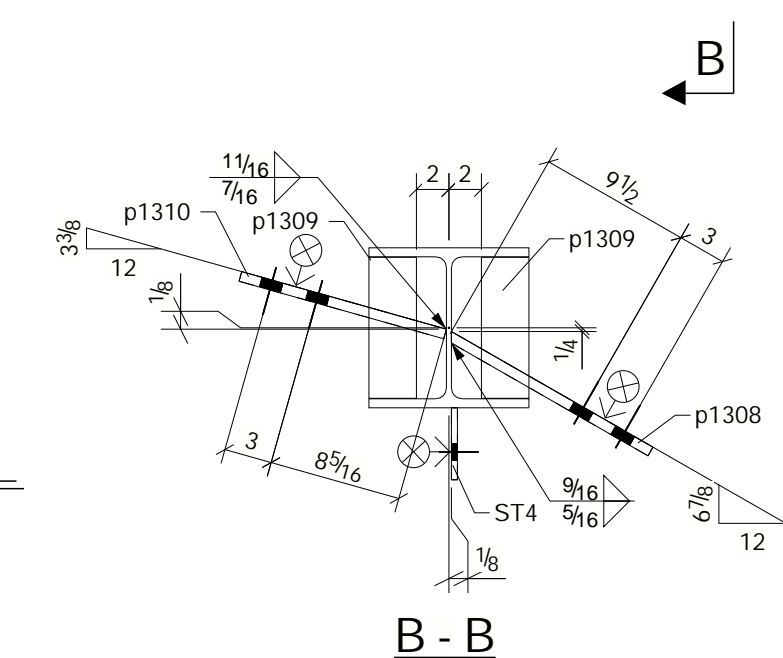
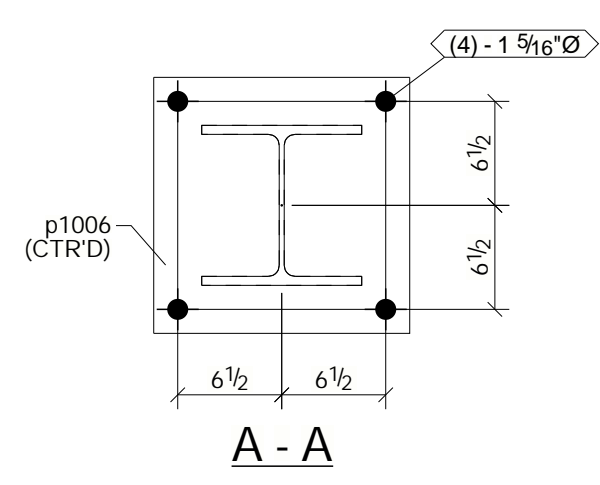
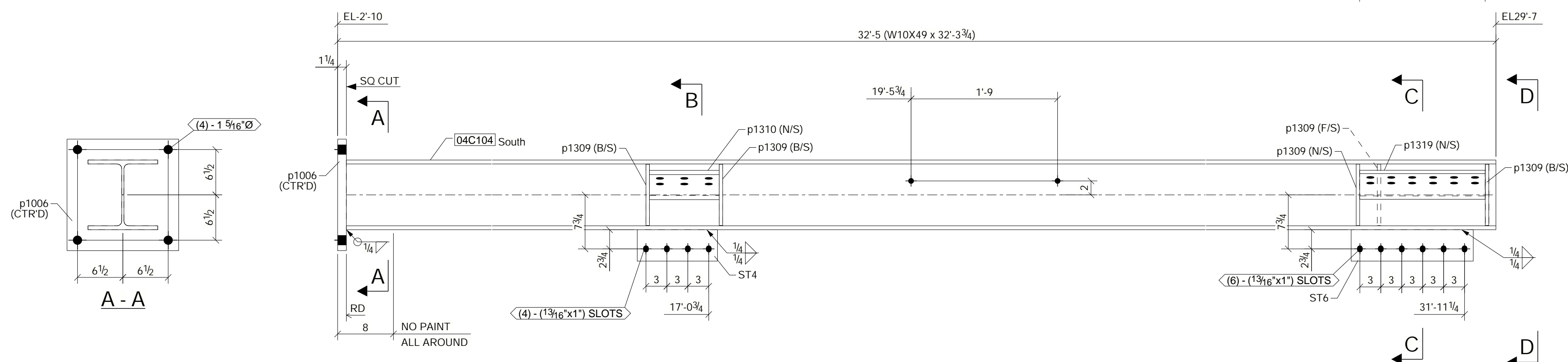
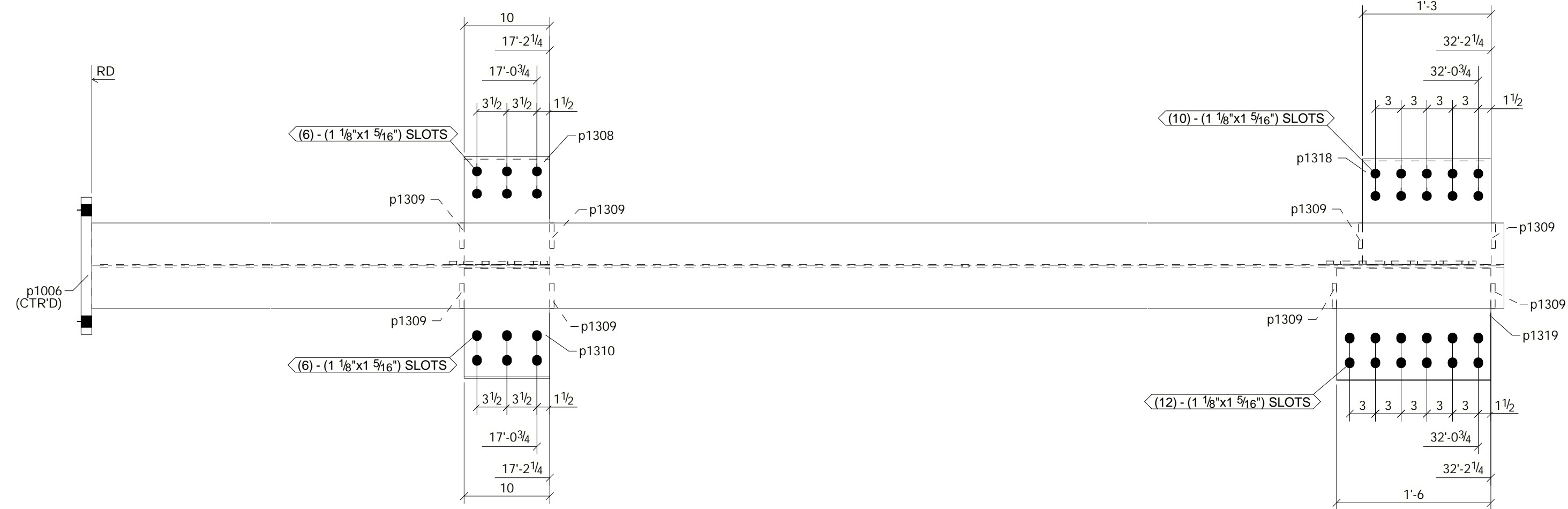
Assy Mark	Part Mark	TOTAL QTY.	DESCRIPTION	LENGTH FT. - INCH	WEIGHT IN lbs	MAT'L	REMARKS
04C115		ONE	COLUMN				SQ1E
	04C115	1	HSS7X5X.500	12'-10 1/4"	426	A500-GR.B	
	ST2	2	PL3/8X4 1/2	0'-5 1/2"	5	A36	
	ST5	2	PL3/8X4 1/2	1'-2 1/2"	14	A36	
	ST7	1	PL3/8X4 1/2	1'-8 1/2"	10	A36	
	m1009	1	W8X10	4'-9 1/2"	48	A992	
	p1009	1	PL 1 1/2X10	1'-2"	60	A36	
	p1040	2	PL3/8X1	0'-5"	1	A36	
	p1082	1	PL1/4X4 3/4	0'-6 3/4"	2	A36	
TOTAL WEIGHT THIS DRAWING					566		

STD NOTE:  
INSIDE CORNERS OF ALL COPES AND CUTS TO BE 1/2" RAD. MIN. U.N.

DK.	GRID LOC.	ELEV.
04	A/2	8.0 BP -0-6 3/4"

DWG. ISSUE	DATE	REVISIONS NO.	DATE	DESCRIPTION
	04/18/2022			

BOLTS A325 U.N.O	HOLES 13/16" Ø U.N.O	STEEL WF (ASTM) A992	HSS (ASTM) A500-GR.B	PARTS (ASTM) A36 U.N.O
FINISH: NO PAINT		SURFACE PREP: SSPC-SP2		DRY FILM THICKNESS 1.5-2.0 MILS
CUSTOMER:			RD = REF. PT FOR RD'S	WELDING: E70XX-LH
PROJECT: RELIANT 3D SAMPLE DRAWING				
DRAWN BY:			CHECKED BY:	
JOB NO:			SHEET NO:	



ONE - COLUMN - 04C104

**BILL OF MATERIAL**

Assy Mark	Part Mark	TOTAL QTY.	DESCRIPTION	LENGTH FT. - INCH	WEIGHT IN lbs	MATL	REMARKS
04C104		ONE	COLUMN				SQ1E
	04C104	1	W10X49	32'-3 3/4"	1584	A992	
	ST4	1	PL3/8X4 1/2	0'-11 1/2"	6	A36	
	ST6	1	PL3/8X4 1/2	1'-5 1/2"	8	A36	
	p1006	1	PL1 1/4X16	1'-4"	91	A36	
	p1308	1	PL5/8X10	1'-2 1/2"	25	A36	
	p1309	8	PL1/2X3	0'-8 13/16"	30	A36	
	p1310	1	PL5/8X10	1'-1 5/16"	24	A36	
	p1318	1	PL1/2X14 3/16	1'-3"	30	A36	
	p1319	1	PL1/2X13 9/16	1'-6"	35	A36	
TOTAL WEIGHT THIS DRAWING					1831		

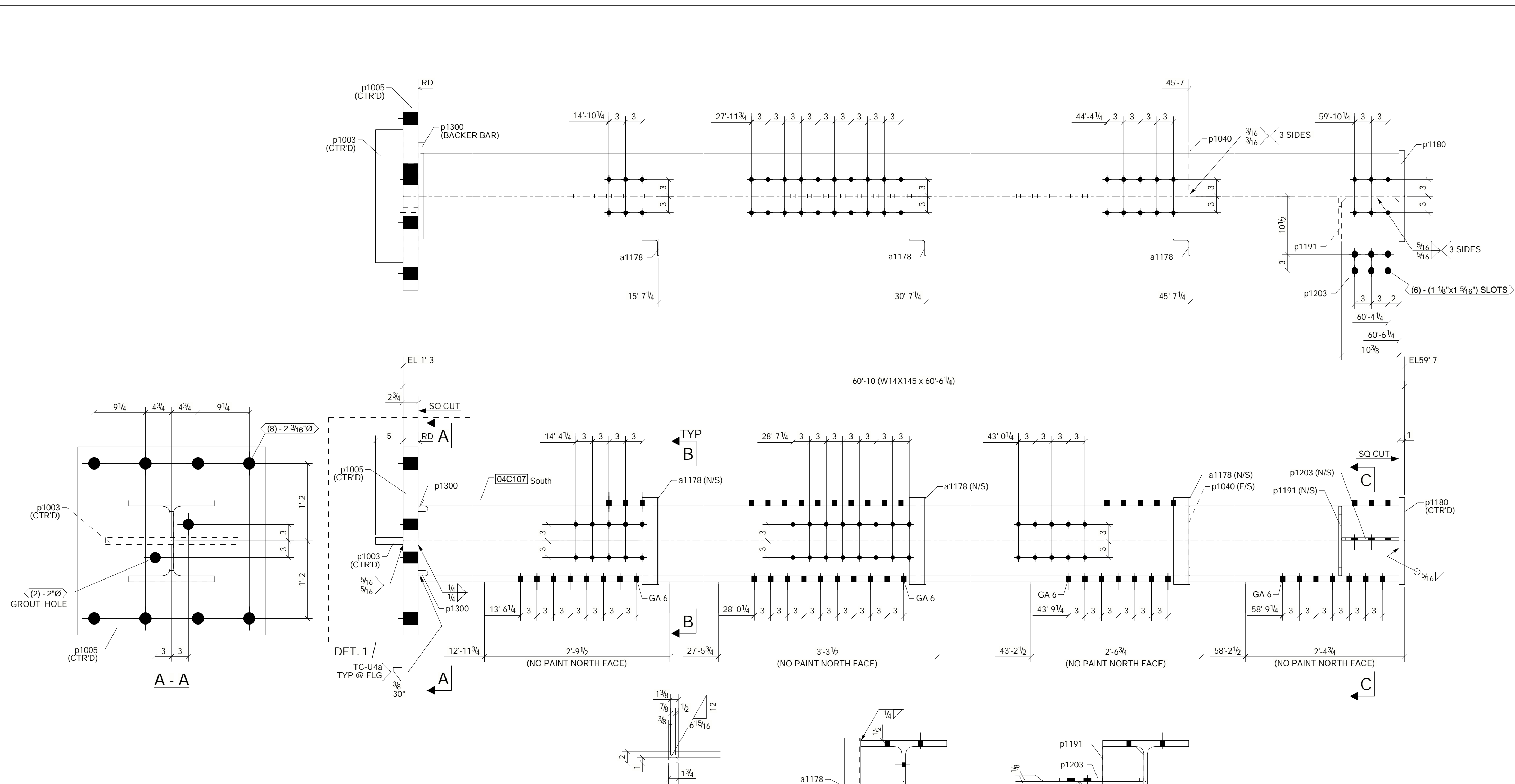
STD NOTE:  
INSIDE CORNERS OF ALL COPES AND CUTS TO BE 1/2" RAD. MIN. U.N.

Dk.	GRID LOC.	ELEV.
04	1.8/G.9	8.0/8P -2'-10"

W10X49
d 10"
tw 5/16"
bf 10"
tf 9/16"
k 1 1/4"
rw 5 1/2"

DWG. ISSUE		REVISIONS		
DATE	PURPOSE	NO.	DATE	DESCRIPTION
01/05/2022	FOR APVL	A	01/05/2022	APVL
02/10/2022	FOR FAB	0	02/10/2022	FAB

BOLTS A325 U.N.O	HOLES 13/16Ø U.N.O	STEEL WF (ASTM) A992	HSS (ASTM) A500-GR.C	PARTS (ASTM) A36 U.N.O
FINISH: SHOP STD. PRIMER		SURFACE PREP: SSPC-SP2		DRY FILM THICKNESS 1.5-2.0 MILS
CUSTOMER:			RD = REF. PT FOR RD'S	WELDING: E70XX-LH
PROJECT: ADDRESS: <b>RELIANT 3D SAMPLE DRAWING</b>				
DRAWN BY:			CHECKED BY:	
JOB NO:			SHEET NO:	



ONE - COLUMN - 04C107

**BILL OF MATERIAL**

Assy	Part	TOTAL	DESCRIPTION	LENGTH	WEIGHT	MATL	REMARKS
Mark	Mark	QTY.		FT. - INCH	IN lbs		
04C107		ONE	COLUMN				SQ2E
	04C107	1	W14X145	60'-6 1/4"	8795	A992	
	a1178	3	L3X3X1/4	1'-3 3/4"	19	A36	
	p1003	1	PL1 1/4X5	2'-0"	43	A36	
	p1005	1	PL2 3/4X34	2'-10"	902	A36	PRESS FLAT
	p1040	1	PL1/4X8 15/16	1'-0 9/16"	8	A36	
	p1180	1	PL1X15 3/4	1'-4 1/2"	74	A572-GR.50	
	p1191	1	PL1/2X7 3/8	1'-0 9/16"	13	A36	
	p1203	1	PL1/2X10 3/8	1'-3 3/16"	22	A36	
	p1300	2	PL3/8X1	1'-7 1/2"	4	A36	
TOTAL WEIGHT THIS DRAWING					9878		

STD NOTE:  
INSIDE CORNERS OF ALL COPES AND CUTS TO BE 1/2" RAD. MIN. U.N.

Dk.	GRID LOC.	ELEV.
04	2/D.8	8.0/B.P -1'-3"

W14X145
d 14 3/4"
tw 11/16"
bf 15 1/2"
tf 1 1/16"
k 2 3/8"
ry 7 1/2"

DETAIL 1  
(BASE PLATE NOT SHOWN FOR CLARITY)

DWG. ISSUE		REVISIONS	
DATE	PURPOSE	NO.	DESCRIPTION
01/05/2022	FOR APVL	A	APVL
02/10/2022	FOR FAB	0	FAB



BOLTS	HOLES	STEEL WF (ASTM)	HSS (ASTM)	PARTS (ASTM)
A325	13/16Ø	A992	A500-GR.C	A36
U.N.O	U.N.O			U.N.O
FINISH: SHOP STD. PRIMER		SURFACE PREP: SSPC-SP2		DRY FILM THICKNESS: 1.5-2.0 MILS
CUSTOMER:		RD = REF. PT FOR RD'S		WELDING: E70XX-LH
PROJECT:		RELIANT 3D SAMPLE DRAWING		
ADDRESS:				
DRAWN BY:		CHECKED BY:		
JOB NO:		SHEET NO:		