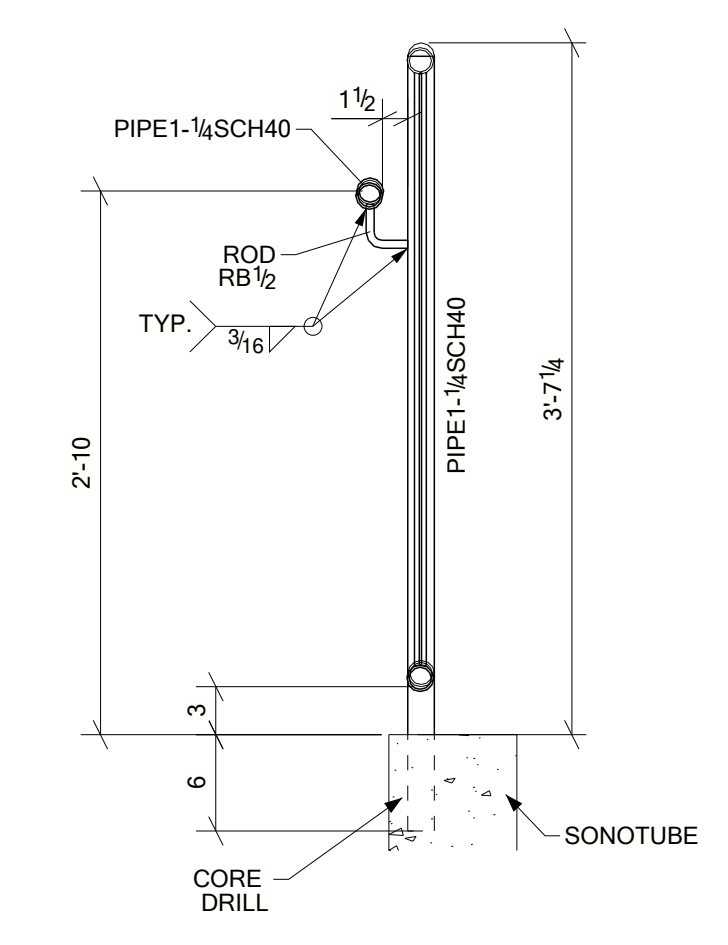


PARTIAL PLAN



TYPICAL DETAIL



DWG. ISSUE		REVISIONS		BOLTS (UNO)	HOLES (UNO)	STEEL ASTM (WF)	HSS (ASTM)	PARTS (ASTM)
DATE	PURPOSE	NO.	DATE	A325	13/16" U.N.O.	A572 GR 50 OR A992	A500-GR.B	A36 U.N.O.
08/09/2021	FOR APVL	A	08/09/2021	FINISH: HD-GALV		SURFACE PREP: SSPC-SP2		DRY FILM THICKNESS: 1.5-2.0 MILS
				CUSTOMER: UN.O.		UN.O. RD = REF. PT FOR RD'S		UN.O. WELDING: E70XX-LH
				PROJECT: UN.O.		UN.O. PAINT STRIPE		
				ADDRESS: RELIANT 3D SAMPLE DRAWING				
				DRAWN BY:		CHECKED BY:		
				SHEET NO:				

